

AHL-LIGHT 70

LED POND LIGHT

The Ahl-Light 70 is a robust LED pond light. It is used for powerful illumination of nuclear underwater work areas and fuel pools. The optimized reflector design increases the light output and ensures an even light distribution. The LED technology allows long-term operation and greatly reduced maintenance work compared to ordinary halogen lights.

APPLICATIONS

- Underwater nuclear pond light
- Ideal for work in reactor and fuel pools
- The light is delivered with a power supply that is placed either in air (on the railing or on the wall) or underwater

BENEFITS

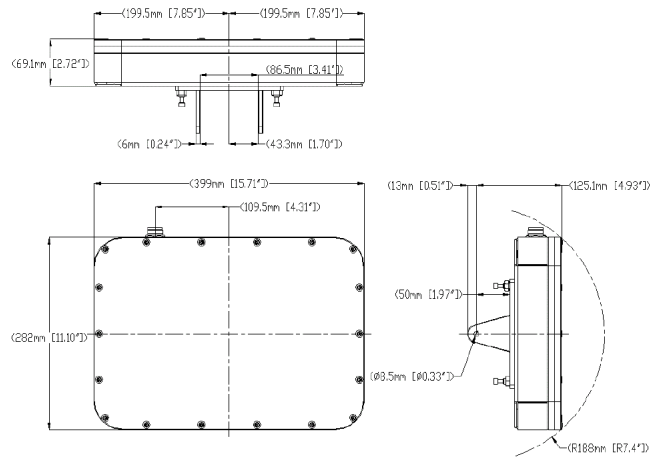
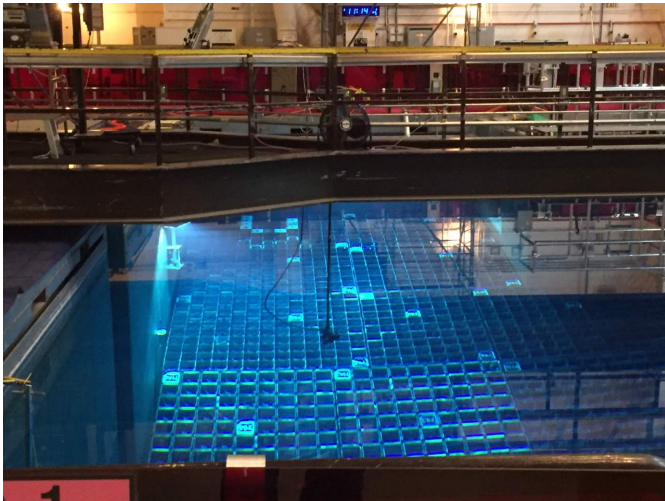
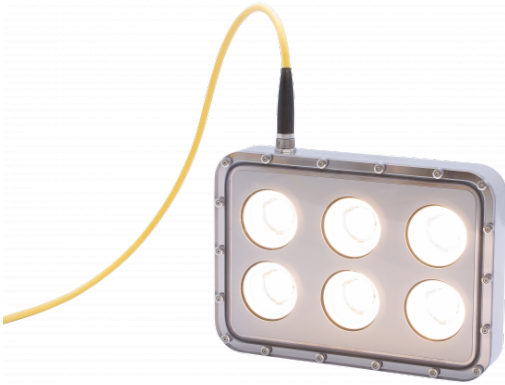
- 87 000 lumen light output
- Low maintenance costs due to its long life-time
- Overheating protection during unintended use in air
- FME approved design - no loose parts can enter the pool water
- Power supply can be placed in air or underwater

SPECIFICATIONS

Length	422 mm (16,62")
Width	282 mm (11,11")
Height	106 mm (4,18")
Weight	12,2 kg (26,8 lbs)
Housing material	Stainless steel EN 1.4301/EN 1.4436, AISI 304/AISI 316
Front glass material	Hard coated polycarbonate
Maximum temperature	60°C, 70°C for short periods (140°F, 158°F)
Water tightness	3 bar (30 m)
Lights	LED 100-240 VAC, 50/60 HZ, 480 W
Typical luminous flux	87 000lm @5000K, 83 000lm @ 3000K
Color rendering index	80
Color temperature	3000K or 5000K
Lighting angle	64° x 64°
Life time	>50 000 h
Radiation tolerance (total dose)	50 000 Gy (5 000 000 rad)

We reserve the right to alter specifications without prior notice

AHL-LIGHT 70 IMAGES



We reserve the right to alter specifications without prior notice