



AHL-PS, UNDERWATER VERSION

POWER SUPPLY FOR AHL-LIGHT 70, 35 AND 15

AHL-PS is the power supply for the Ahl-Light 70, Ahl-Light 35 and Ahl-Light 15. The power supply is connected to the power network on site via a power cable. The power supply powers the Ahl-Light via a lighting cable.

APPLICATIONS

- Power supply for the Ahl-Light 70, 35 and 15

BENEFITS

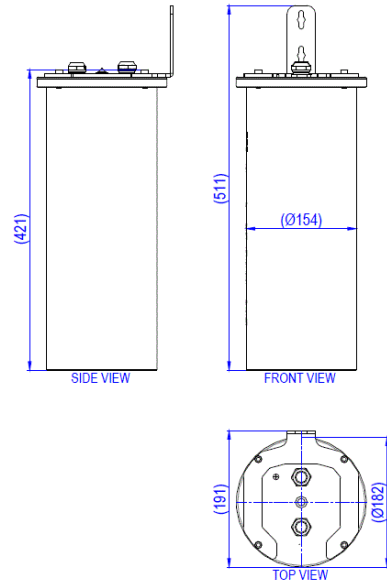
- FME approved design - no loose parts can enter the pool water

SPECIFICATIONS

Length	421 mm (16,6")
Diameter	154 mm (6,1")
Housing material	Stainless steel EN 1.4301
Weight	12,0 kg (27 lbs)
Water tightness	1,0 bar (10m)
Input voltage	100-240 VAC, 50-60 Hz
Power consumption	600 W max

We reserve the right to alter specifications without prior notice

AHL-PS, UNDERWATER VERSION IMAGES



We reserve the right to alter specifications without prior notice