



# MAST CAMERA 200 HD

## BWR REFUELING MACHINE CAMERA

The Mast Camera 200 HD is a high radiation tolerant camera designed for permanent or temporary installation on a BWR refueling machine mast. It enables the machine operator to read the serial number on the upper tie plate / bail handle. It also helps the operator to view the lower tie plate / nose cone area when guiding the fuel back through the top guide. The Mast Camera 200 HD is excellent in a BWR for supervision during fuel handling and core mapping.

### APPLICATIONS

- Supervision during fuel handling
- Core mapping

### BENEFITS

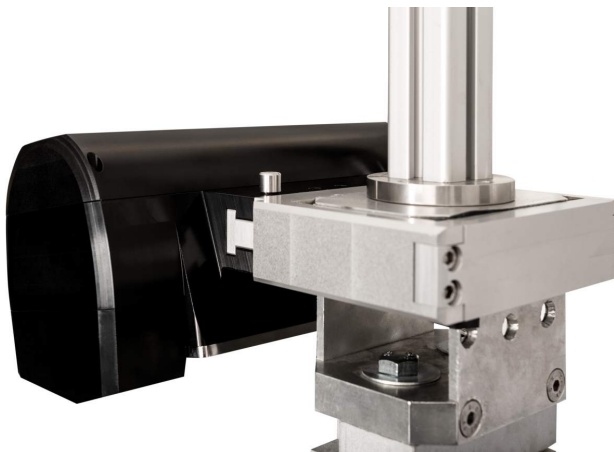
- The new Mast Camera 200 HD can easily be incorporated to an existing Mast Camera system
- Auto-positioning functions of zoom, tilt and focus
- 4 lights aimed at fuel assembly lower end at 4-5m (13-16 ft), 2 lights aimed at gripper at 0,5-1,0m (1.6-3.3 ft)
- 10x more light sensitive than previous Mast Camera version

### SPECIFICATIONS

Dimensions (L*W*H)	264x147x138 mm (10.4"x5.8"x5.4")
Water tightness	3 bar, (30 m, 98 ft)
Maximum temperature	50°C (122°F)
Weight	5.8 kg (12.8 lbs)
Zoom	x10 optical x4 digital giving x40
Housing material	Stainless steel EN 1.4303 anodized aluminum
Lights	6 x LED, in total 5400 lumen
Resolution HD version	1080p, 25/30 fps
Radiation tolerance (total dose)	10 000 Gy (1 000 000 rad)
Radiation tolerance (dose rate)	1 000 Gy/h (100 000 rad/h)

*We reserve the right to alter specifications without prior notice*

MAST CAMERA 200 HD IMAGES



*We reserve the right to alter specifications without prior notice*