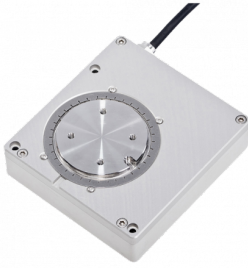


P270

PAN UNIT



The P270 is mostly used as a pan unit in 4-face fuel inspection installations.

APPLICATIONS

- For use in 4-face fuel inspection installations or similar applications

BENEFITS

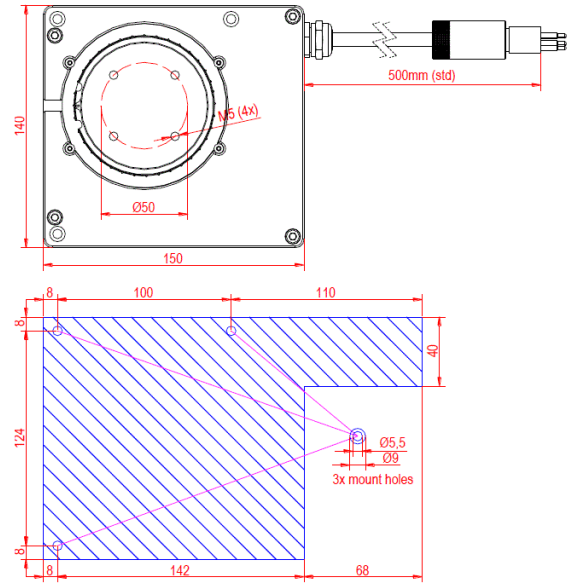
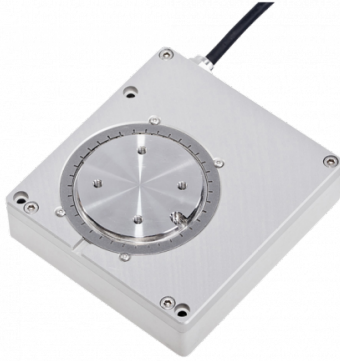
- High radiation-tolerance
- Robust design
- Working pan angles preset

SPECIFICATIONS

Length	140 mm (5,5")
Width	150 mm (5,9")
Height	40 mm (1,6")
Housing material	Stainless steel EN 1.4301 AISI 304 or anodized aluminum
Weight	2,7 kg (Aluminum) (5,8 lbs)
Maximum temperature	70°C (158°F)
Water tightness	min 3,5 bar (35 m), IP68
Pan angle	360°
Radiation tolerance (total dose)	1 000 000 Gy (100 000 000 rad)

We reserve the right to alter specifications without prior notice

P270 IMAGES



We reserve the right to alter specifications without prior notice